

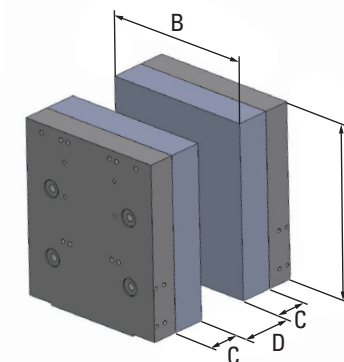
TECHNICAL DATA

BLOW MOULDER TYPE	BBM	4-100D	6-100DL	8-100D	10-100D
Clamping force	[kN]	180	240	300	400
CLAMPING UNITS					
Mould length (A) max.	[mm]	465	465	490	620
Mould width (B) max.	[mm]	540	740	890	1040
Mould depth (C)	[mm]	2x180	2x180	2x180	2x180
Opening stroke (D)	[mm]	320	320	320	320
PRODUCTION POSSIBILITIES					
2x2-fold (volume)	[litre]	5	10	-	-
2x3-fold, centre distance	[mm]	170	240	280	340
2x4-fold, centre distance	[mm]	125	170	210	250
2x6-fold, centre distance	[mm]	-	115	140	170
2x8-fold, centre distance	[mm]	-	85	100	125
2x12-fold, centre distance	[mm]	-	-	70	85
EXTRUDERS					
RHF	[L/D]	60/33	70/33	90/33	110/33
Output HPDE (max.)	[kg/h]	200	300	400	600
DIMENSIONS AND WEIGHTS					
Length	[mm]	5700	6000	6200	6500
Width	[mm]	6400	7000	7300	7600
Height	[mm]	3800	3800	4000	4200
Weight	[to]	20	30	35	40

All data is for information and guidance purposes only. Errors and omissions excepted.

MAIN FEATURES

- Electric double station extrusion blow moulding machine for consumer packaging
- Clamping unit with article take-out to the front, left and right or back
- 30 – 50 % energy saving compared to hydraulic machines
- Low maintenance costs (no oil, filters, leakages), no cooling energy for hydraulics
- Low noise level and precise – right from the first cycle
- Easy access to the production and maintenance area with wide opening safety gates
- Mould thickness and clamping force adjustment, directly at the operator panel
- RHF high output extruders with high L/D-ratio for all common polyolefines
- Extruders allow screw removal to the back
- Coated extrusion heads for best surrounding distribution and quick colour changes
- BBM „BlowControl 2“ with Multi-Touch Screen
- Proportional control for profiled blow and support air
- Remote control for tele-service via Internet
- Optional: multi-layer, post-cooling stations, IML, view stripe, quick-change devices



BBM 4-100D / 6-100DL
BBM 8-100D / 10-100D

BBM Maschinenbau und Vertriebs GmbH

Dieselstr. 3 - 5
D-33449 Langenberg
Germany

Tel.: +49 (0) 52 48 82 38 - 0
Fax: +49 (0) 52 48 82 38 - 295

E-Mail: sales@bbm-germany.de
Web: www.bbm-germany.de

10/2016